



# Innovations

WINDOW & DOOR SYSTEMS

*Innovations*  
WINDOW & DOOR SYSTEMS



# THE *Innovations* STORY

## HYBRID

Innovations Windows & Doors were created to blend style with performance...features with benefits aimed at providing ultimate comfort for your home.

Over the years, discriminating homeowners have sought products that delivered warm architectural features, greater energy efficiency, and were produced with more "green" manufacturing practices. As the window industry has evolved, many revolutionary technologies have been developed to meet the demands of today's market. The result is the Hybrid technology fused together in the development of the Innovations Window. Innovations combines Carbon Composite Reinforcements, Premium uPVC extrusions, and Earth-friendly insulation to deliver a state of the art window system. Innovations answers the quest to provide today's comfort with care for tomorrow.

Innovations...a smart investment for today, tomorrow, and many generations to follow.





## Why should I replace my windows with Innovations?

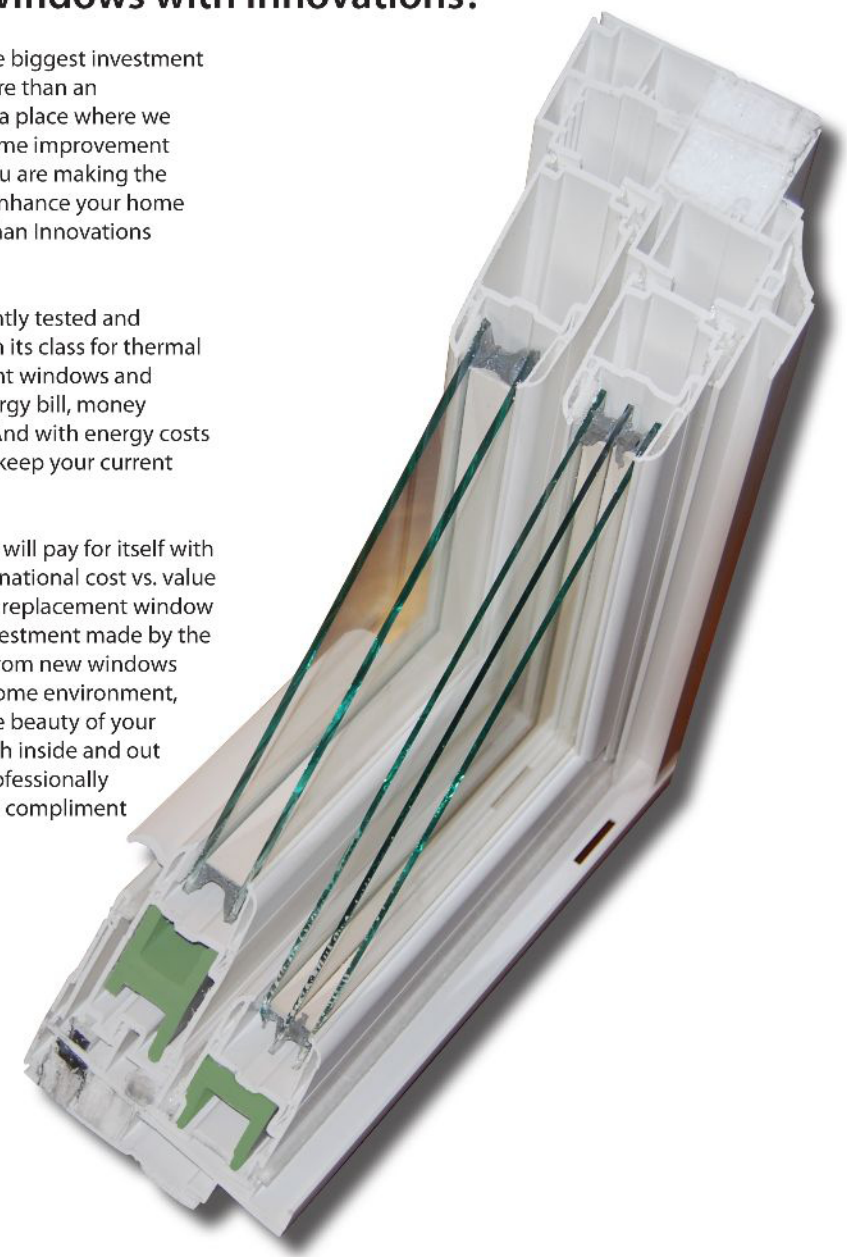
For most families, a home represents their single biggest investment in the course of a lifetime. But your home is more than an investment, it's where memories are made and a place where we feel comfortable and safe. When it comes to home improvement projects, naturally you want to feel confident you are making the right decision. And once you have decided to enhance your home with new windows and doors, look no further than Innovations Window & Door Systems.

Innovations Windows & Doors were independently tested and found to be one of the highest rated windows in its class for thermal efficiency and structural performance. Inefficient windows and doors can be costing you up to 40% of your energy bill, money you're spending with no direct benefit to you. And with energy costs expected to rise in the future, can you afford to keep your current windows and doors?

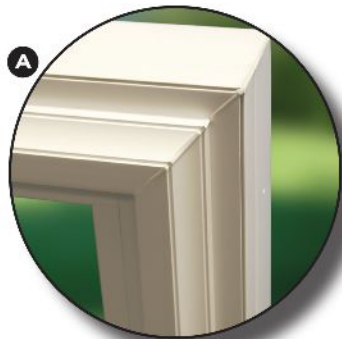
An investment in Innovations Windows & Doors will pay for itself with years of energy conservation. According to the national cost vs. value report from Remodeling Magazine, the average replacement window project will retain 72% of the upfront cost of investment made by the homeowner. In addition to the financial gains from new windows and doors, you will enjoy a more comfortable home environment, eliminate annual maintenance, and enhance the beauty of your home. The new look your home will receive both inside and out can be enjoyed for a lifetime. Custom made, professionally installed Innovations Windows & Doors will be a compliment to every home.

### Summary of Benefits:

- Immediate Return on Investment
- Energy Payback
- Maintenance Free
- Easy Operation
- More Comfortable Living
- Enhance the Beauty of Your Home



# Innovations DOUBLE-HUNG WINDOWS

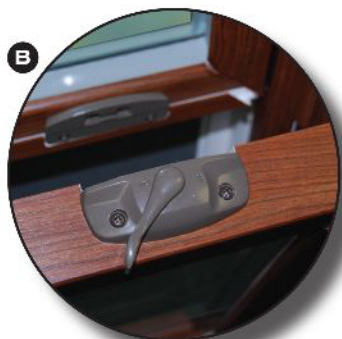


## TRADITION MEETS TECHNOLOGY

Traditional styling is fused with modern technology to deliver the high performance found in the Innovations Double Hung window. The design of the Innovations Double Hung offers you the look and beauty of wood windows, while virtually eliminating time consuming maintenance and upkeep. Filled with great features and options, you are sure to find the perfect Innovations window for your home.

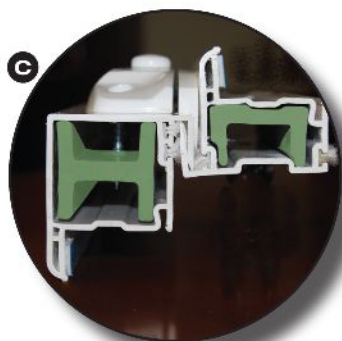
### Exceptional Beauty

- Exterior Contoured Frame **A** is fusion welded.
- Equal Sight Lines between upper and lower sash.
- High Performance Sloped Sill with sash interlock.
- Sash detailing offers Traditional millwork appearance.
- Shadow grooved sash corners at weld locations.



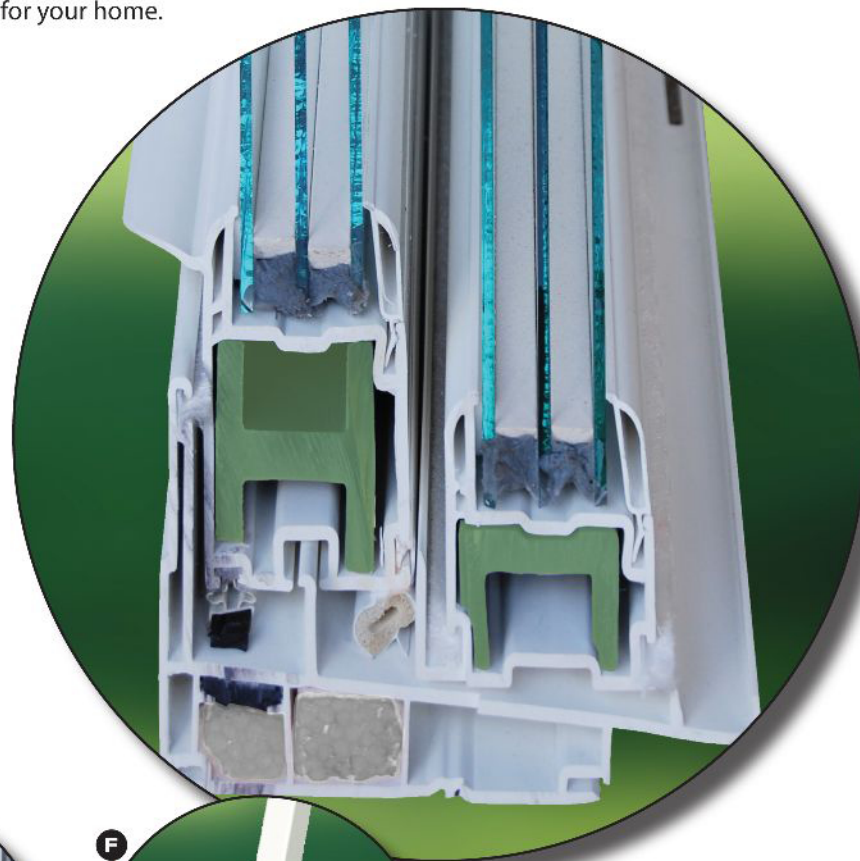
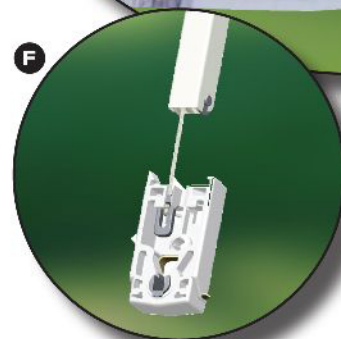
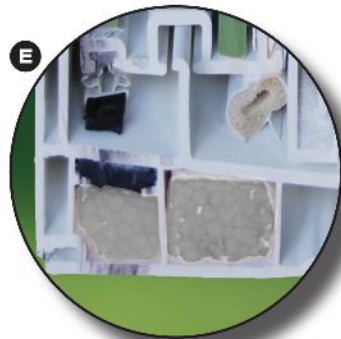
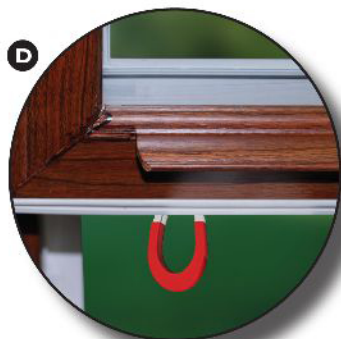
### Superior Performance

- **INNERGY™** **C** Composite Reinforcements at meeting rail.
- **Magna-Tite™** **D** bottom sash weather-strip.
- **Insul-Core™** **E** frame insulation.
- Triple weather-stripped sash.
- **EZ-Lift™** **F** balance system for smooth operation.
- Full length Sash Interlock with dual weather-strip.
- Sill Interlock secures lower sash.
- Dual Vent Latches provide security.
- Extruded Screen Frame for durability
- Dual Cam Locks are securely anchored into the sash reinforcement.



### Ease of Use

- **EZ-Tilt™** **B** and Lock Hardware System.
- Contoured Lift Rails on both sashes.
- Block and Tackle balance system.



**INNERGY™**  
Rigid Thermal Reinforcements

A soy-based reinforcement product that performs 700 times better than aluminum. Very green. Very strong.

4 All Innovations windows are complete with one of four Energy Guard™ high efficiency insulated glass packages. All Glass employ double or triple pane glass, high efficiency glass coatings of silver or indium and a true warm edge non metal spacer. To create the highest level of efficiency, all units are filled with Krypton or Argon gas.



Design Pressure Rating (Light Commercial): LC 55  
Air Infiltration: 0.11

# Innovations SLIDER WINDOWS

## AN EXCEPTIONALLY SMOOTH OPERATOR

Sliding windows are a popular choice for many homeowners today due to their great appearance and cost effectiveness. Since the Innovations Sliding window utilizes virtually all of the same outstanding features found in our double hung, you can rest assured it will perform well in your home. Innovations Sliders are offered in 2 and 3 Lite styles, and are available with the same colors and options to compliment other window styles.

### Exceptional Beauty

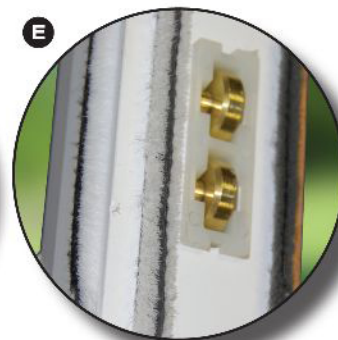
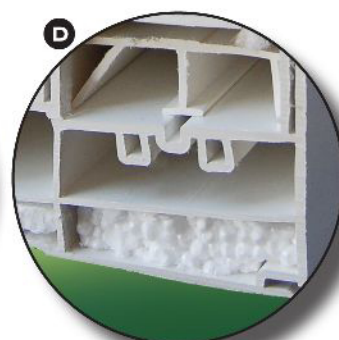
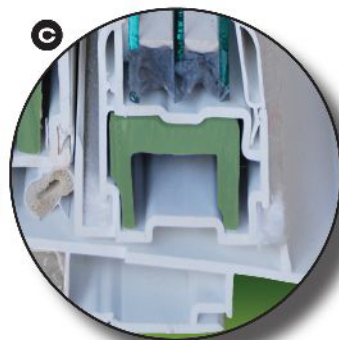
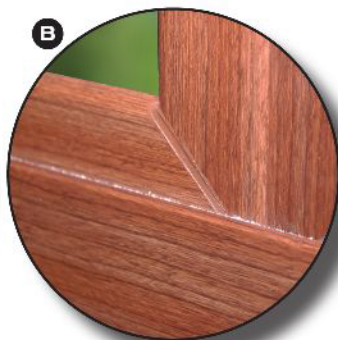
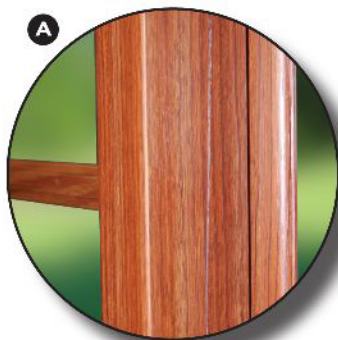
- Exterior Contoured Frame **A** is fusion welded for optimal strength and to be weathertight.
- Equal Sight Lines between sashes maintain the original look of your home.
- Interior Sash detailing offers Traditional millwork appearance.
- Shadow grooved sash corners **B** enhance the finished look of the interior.

### Superior Performance

- High Performance Sill Interlock enhances security and performance in high wind conditions.
- **INNERGY™ C** Composite Reinforcements at meeting rail eliminate sash distortion and bowing.
- **Insul-Core™ D** frame insulation improves the thermal performance over hollow vinyl windows.
- Triple and Quadruple weather-stripping provides a superior barrier against the elements.
- Full length Sash Interlock with dual weather-strip virtually eliminates air infiltration.
- Dual Vent Latches provide added security while window is open for ventilation.
- A premium Extruded Screen Frame with fiberglass mesh is standard on Innovations windows.
- Dual Cam Locks are securely anchored into the sash reinforcement.

### Ease of Use

- Tandem Brass Rollers **E** on both sashes ensure smooth operation for a lifetime.
- Contoured Lift Rails are carefully designed into the sashes and simplify window operation.
- Easy Lift Out sash design enables simple removal of both sashes for quick cleaning from the inside.





Design Pressure Rating (Light Commercial): LC 60  
Air Infiltration: 0.09

# Innovations CASEMENT & AWNING WINDOWS

## MAXIMIZE YOUR VIEW

Add a touch of elegance to your home with the Innovations Casement Window. Also available in a matching Awning window, these two styles of windows offer the ultimate in performance against high winds and cold temperatures. Utilizing the Vista-View Sash design, Innovations casements offer unobstructed views by maximizing the glass area by reducing the size of sash and frame. To further compliment your home, our casements and awnings are available with the same wide range of color and glass options found with our other window styles.

### Exceptional Beauty

- Fusion welded Contoured sash profile **A** compliments double hung and slider styles.
- **Vista-View™** Sash utilizes narrower sash proportions to offer maximum glass viewing area.
- Continuous Frame design for multi-lite casement units delivers a more traditional appearance.
- Nesting Hardware **B** neatly folds out of the way as to not interfere with blinds or drapes.

### Superior Performance

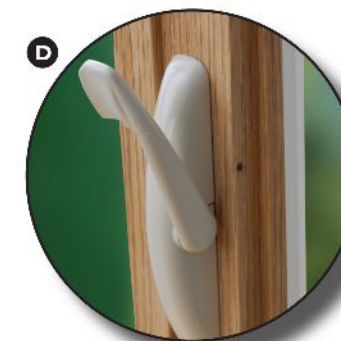
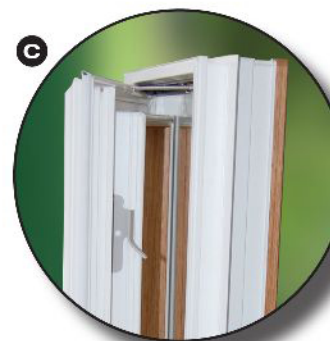
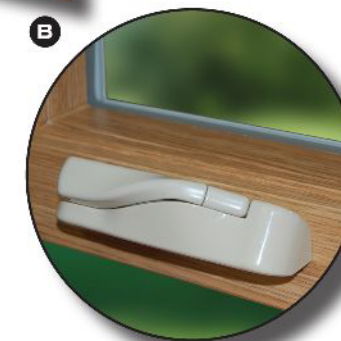
- Triple weather-stripped frame **C** and sash design delivers air tight performance.
- Multi-point Hardware system ensures a secure and weather tight seal on every window.
- Heavy-Duty Screen Frame with Recessed Screen Clips deliver an uncluttered interior appearance.
- Adjustable Sash system ensures the sash sits squarely in the frame for optimal performance.
- Dual Cam Locks are securely anchored into the sash reinforcement.

### Ease of Use

- Dual Arm Operator provides smooth and efficient operation during opening and closing.
- Casement sashes can be opened to 90° for ease of cleaning from inside the home.
- Single Lever locking system **D** allows easy access to hardware for most every user.



Innovations casement windows are available in multi-sash, single-frame configurations to minimize the frame and maximize your view and ventilation.







Design Pressure Rating - Picture Window (Heavy Commercial): HC 75  
Air Infiltration: 0.01 9

# Innovations BAY/BOW WINDOWS

## EXPAND YOUR HORIZON

No matter what your view, enjoy it more with an Innovations Bay or Bow window. This terrific option not only brings the outside in, but dramatically enhances the curb appeal of your home. Structurally sound, and highly efficient, Innovations Bay and Bow windows deliver panoramic views while maintaining the comfort level inside your home year round. Drawing upon the same great features found in our standard Double-Hung and Casement windows, Innovations Bay and Bow windows offer a completely maintenance free exterior utilizing high impact uPVC vinyl.

On the interior, traditional wood window styling is combined with several available color options that will enhance your rooms décor. The Innovations Bay and Bow window system also features your choice of Oak or Birch seat boards which can be painted or stained to match virtually any room. An optional insulated seat board can be added for the ultimate in energy efficiency. Bay windows are available with double-hung or casement windows, while Bow windows feature four or five lite casement window configurations. With so many great features and options, you are sure to find an Innovations Window that fits perfectly in your home.

10 All Innovations windows are complete with one of four Energy Guard™ high efficiency insulated glass packages. All Glass employ double or triple pane glass, high efficiency glass coatings of silver or indium and a true warm edge non metal spacer. To create the highest level of efficiency, all units are filled with Krypton or Argon gas.

# Innovations PATIO DOORS

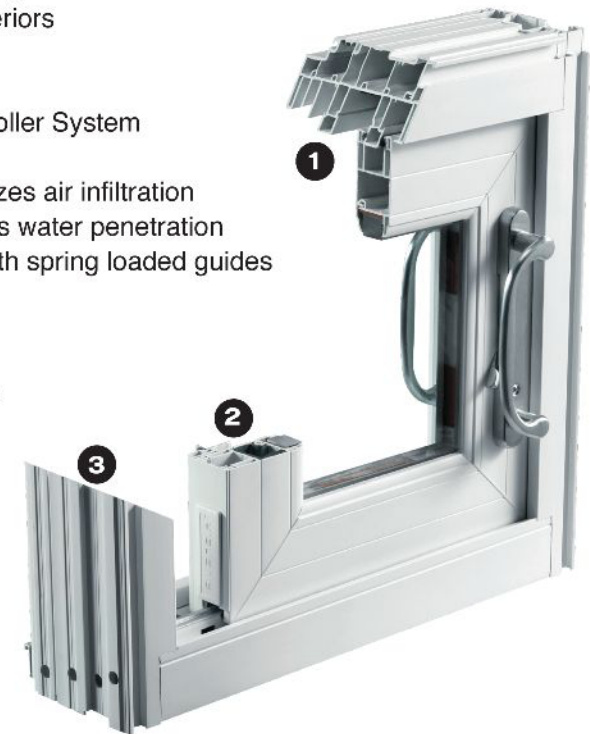


## WALK ON THE PREMIUM SIDE

Whether to the backyard or the pool, an Innovations Premium Sliding Patio Door allows you to connect to your surroundings. Available in standard and custom sizes, the Innovations Sliding Patio Door features many unique options to deliver the ultimate in operation and performance.

- Uncompromised style
- Traditional interior millwork panel design
- Contemporary styled Multi-Point handle
- Two, three, and four-panel configurations
- Three premium wood-grain interiors
- Select hardware finish options
- Unsurpassed performance
- Tandem Marine Ball Bearing Roller System
- Metal reinforced panels
- Triple weather-stripping minimizes air infiltration
- High performance sill eliminates water penetration
- Heavy duty extruded screen with spring loaded guides

- 1 Multi-Cavity Design
- 2 Reinforced Panels
- 3 Spring loaded Screen Guide
- 4 Wood Grain Interiors
- 5 Hardware Options



Multi-Point White

Bright Chrome

Bright Brass

Black Nickel

Black

Design Pressure Rating (Light Commercial): LC 55  
Air Infiltration: 0.11



## Innovations

### Color Tone Exteriors

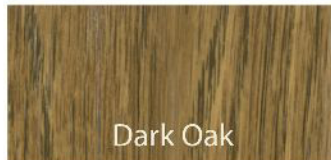
Innovations windows are now available in twelve beautiful exterior color tones for all window styles and patio doors. Through a special process, these windows can be colorized to compliment many exterior color schemes beyond the scope of standard vinyl colors. These colors are also closely matched to, or complimentary to, our full line of beautiful steel or fiberglass entry door colors.

*Note: Printed colors may vary - please see your dealer for exact color samples.*



Desert Tan

### Vinyl Window Colors



Dark Oak



European White



Light Oak



Cherry

## Clearly Better™



CLEARLY BETTER™

STANDARD SCREEN

### Super Transparent Screen

Introducing a revolutionary new screen material with high-tech fiber that allows excellent protection against unwanted pests, but appears very clear (nearly invisible). Now available as an option on all operational Innovations windows. Ask to not see it today!



# TimberLand®

The Innovations TimberLand® window boasts a beautiful, heavy-gauge laminate that creates the look of real wood without the maintenance or problems of real wood (like rotting and warping). In fact, these windows require NO maintenance (except for the occasional washing). Classic styling, surprising affordability, and extra high-energy efficiency make the TimberLand® series the choice for homeowners who want the very best.

## Child-Proof Latch

Located near the inside top of the frame, the window cannot be opened unless latch is pressed. (Optional)



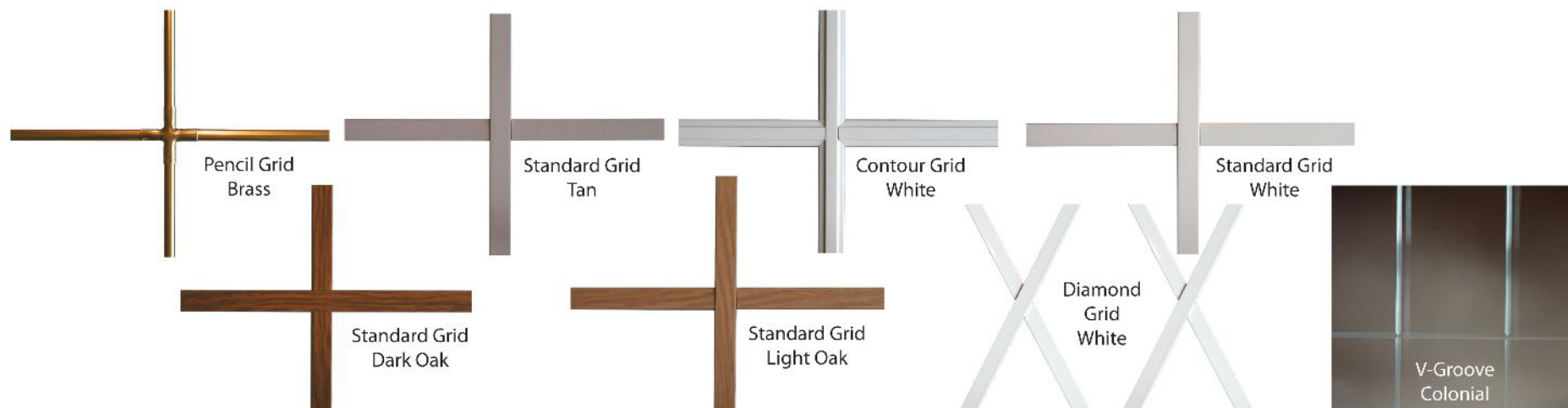
## Internal Blinds

Internal blinds add style to your window while providing the opportunity to control lighting and privacy. So easy to use, yet completely maintenance-free – you will never clean or dust your blinds again. Each blind is sealed between two panes of glass making this the perfect choice for homes with children or pets. Internal mini-blinds are available in white and almond for most window types. Casement and awning windows can be ordered with blinds, however the screen must be removed to operate the blind. See your Innovations representative for further information and available options.



## Muntin Bars

Muntin bars are available in a myriad of colors, styles and sizes. For woodgrain interiors, ask for two-tone muntins to match. All muntins are between the glass for easy cleaning. Please see your representative for details on the many custom options available.





## Buy With Confidence.

Innovations Door & Window Systems is a proud member of EarthWise LLC. EarthWise is a multi-national organization comprised of fifteen manufacturers who share technology, buying power, and provide security to the homeowner through shared responsibility of warranty claims in the event that a member company ceases to exist. As an EarthWise customer, you have assurance that your windows are supported by fifteen manufacturing facilities and that they are further insured by the Good Housekeeping Seal of Approval. The Good Housekeeping Seal of Approval is the most highly respected and well known symbol for the assurance of product quality. Good Housekeeping underwrites all Earthwise windows and guarantees to refund your purchase if found to be defective for the first two full years after your purchase. Three great names working in concert: Innovations, Earthwise and Good Housekeeping.



# Innovations

INNOVATIONS WINDOW & DOOR SYSTEMS

## Transferable Lifetime Non-Prorated Limited Warranty For As Long As You Live In Your Home

### Innovations

warrants to you, for residential application, the original purchaser of the Innovations window, that this product will be free from defects in material and workmanship for as long as you own and reside in the home in which the products were installed as follows:

#### BASIC WINDOW UNIT - LIFETIME

The rigid vinyl in the window is warranted against chipping, cracking, peeling, pitting or blistering for as long as you own and reside in the house in which these products were installed. This limited warranty does not apply to any damage caused by improper installation, accident, fire, flood, explosion, misuse, abuse, vandalism or other external forces.

#### MOVING PARTS - LIFETIME

Moving parts, such as balances that are used on double hung windows, are warranted for as long as you own and reside in the house in which the products are installed. This limited warranty does not apply to any damage caused by improper installation, accident, fire, flood, explosion, misuse, abuse, vandalism or other external forces.

#### FIBERGLASS SCREENS - LIFETIME

The materials used in the manufacturing of screens are warranted for as long as you own and reside in your present home. This warranty does not apply to any damage caused by improper installation, accident, fire, flood, explosion, misuse, abuse, vandalism or other external forces. The warranty shall be limited to providing you with new screen material and/or frames or spline for any manufacturing defect in the screen.

#### BAY OR BOW WINDOWS

Proper installation and insulation are especially important for all products that project beyond the exterior wall of your home. We recommend that all bay and bow windows that extend over 8 inches should be either knee braced or installed with our cable support system attached to the roof joists.

In order to minimize the risk of condensation, insulation is required above and below bay and bow windows. All bay and bow units require weatherization protection in the form of a roof or enclosure with the existing overhang in order to prevent damage to the headboard.

#### INSULATED GLASS UNIT - LIFETIME

The sealed insulated glass unit is warranted against defects resulting in material obstruction of vision from film formation caused by dust or moisture in the dead air space of the sealed unit for as long as you own and reside in the residence in which the windows are installed. Should the glass fail, Innovations will provide you with a replacement sealed glass unit at no charge. Upon sale of the home, the new homeowner will be covered for ten years from the original window purchase date. Should the glass fail after year ten, as described above, Innovations will charge a fixed percentage of the company's current selling price for insulated glass.

#### GLASS BREAKAGE - LIFETIME

Should for any reason the glass break or crack in your Innovations windows (when installed in residential buildings only), a sealed unit, exclusive of sash members, will be forwarded at no charge to the distributor nearest to your home. It is then the responsibility of the consumer to pick up the new sealed unit and install it in the existing sash members. This lifetime glass breakage warranty covers the original purchase and is not transferable. This glass breakage warranty does not apply to acts of God (i.e. flood, earthquake, etc.).

#### PROCEDURE

The procedure for obtaining performance of the warranty obligation is simple. If any part of the product described above should fail, just forward that part prepaid to our corporate headquarters. Upon inspection of this part to ensure that it failed due to manufacturing defects, a new replacement part will be forwarded to you at no charge. However, some parts are impractical to ship to our factory for inspection, such as insulated glass or structural vinyl members of the product. Please consult Innovation's customer service department for a determination as to whether or not sash components need to be shipped to our factory. The manufacturer reserves the right for final approval on warranty claims involving such components. A visual inspection by an authorized representative of the manufacturer may or may not be required. If an inspection is necessary and substantiates that the material has failed, and is covered by the warranty, a replacement part will be shipped to our designated distributor closest to you at no charge, except for the freight involved. Then the obligation of the consumer is to pick up the part at our distributor's location. The same procedure pertaining to shipment of parts to a distributor at no charge except for freight, and consumer's obligation to pick up the part at our distributor's location, applies even when an inspection of the component is not required.

**MATERIALS COVERED BY THE TERMS OF THIS LIMITED WARRANTY WILL BE PROVIDED AT NO CHARGE. HOWEVER, THERE COULD BE A LABOR SERVICE CHARGE BILLED BY THE INSTALLING DISTRIBUTOR. DUE TO TECHNOLOGICAL PRODUCT ADVANCES, REPLACEMENT WINDOWS MAY DIFFER SLIGHTLY FROM THE ORIGINAL WINDOW PART. HOWEVER, THE REPLACEMENT PART(S) SUPPLIED WILL ALWAYS BE OF EQUAL OR GREATER VALUE THAN THE ORIGINAL PART THEY REPLACE. THE LIMITED WARRANTY IS MADE IN LIEU OF ALL OTHER EXPRESS WARRANTIES AND EXTENDS ONLY TO THE ORIGINAL CONSUMER'S PURCHASE. IN NO EVENT SHALL THE MANUFACTURER BE LIABLE FOR SPECIAL INCIDENTAL OR CONSEQUENTIAL DAMAGES, OR FOR ANY DELAYS IN THE PERFORMANCE OF THIS WARRANTY DUE TO CIRCUMSTANCES BEYOND ITS CONTROL. This warranty does not apply to acts of God (i.e. flood, earthquake, etc.) or acts of civil unrest (i.e. war, riots, etc.). NOTE: Windows which exceed the manufacturer's specified size limitations are NOT covered under this warranty.**

#### CONDENSATION

Condensation on any window is the natural result of excessive moisture in the house and does not indicate a defective or faulty installation. It is even possible for frost to appear on a window as a result of excessive condensation in cold weather. No window can prevent condensation if the humidity level in your home is too high. CONDENSATION IS NOT THE RESULT OF A DEFECTIVE OR FAULTY INSTALLATION, IT IS THE RESULT OF EXCESS HUMIDITY. Additional information concerning condensation is available upon request.

#### COLOR

The vinyl will remain its manufactured color closely as it ages, however atmospheric pollution and residues deposited on the window can temporarily discolor it. Some color variance may occur due to exposure to ultraviolet light and these atmospheric conditions. Periodic cleaning of the exterior vinyl surfaces with a mild soap or detergent will prolong the original color and protect the vinyl from excessive color change.

#### CAULKING

On some installations caulking is used to seal the product frame or trim packages against water and/or air penetration. Caulking is not considered part of the product, and therefore is not covered under this warranty. Caulking is normally considered a maintenance responsibility of the homeowner.

NOTE: Some states do not allow limitations on how long an implied warranty or the exclusions and limitations of incidental or consequential damages lasts, so the above limitations or exclusions may not apply to you. This lifetime limited warranty may be validated by having the Registration Certificate signed by the original Purchaser-Property Owner and the dealer, and mailing to Innovations within thirty (30) days of the completed installation.

### Innovations

INNOVATIONS WINDOW & DOOR SYSTEMS

P.O. BOX 39

GRABILL, INDIANA 46741

ORIGINAL INVOICE #: \_\_\_\_\_

DATE INSTALLED #: \_\_\_\_\_

THIS WARRANTY CAN BE TRANSFERRED FROM THE ORIGINAL HOMEOWNER TO THE SECOND HOMEOWNER USING THE INNOVATIONS TRANSFER CERTIFICATE.

## Protecting your Investment.

Innovations Windows and Doors are covered by an industry leading warranty unlike any other. Simply put, for as long as you own your home, all components of the Innovations products will be covered in the event of any defects or failures. Case closed.

Additionally, Innovations Windows and Doors come with the ultimate "peace of mind" warranty fully backed by Good Housekeeping. Good Housekeeping ensures that a homeowner who invests in Innovations products is entitled to a full refund or replacement within the first 2 years of purchase should the product not perform properly.

Innovations Windows and Doors...  
Nothing left to chance!

- Lifetime
- Non-Prorated
- Transferable
- Glass Breakage
- Good Housekeeping
- 15 Partners Strong

**...For as long as you  
own your home.**



# Innovations

WINDOW & DOOR SYSTEMS



OTHER HIGH QUALITY PRODUCTS FROM *Innovations*



STEEL ENTRY SYSTEMS



SECURITY STORM DOORS



FIBERGLASS ENTRY SYSTEMS



ULTRA-VIEW STORM DOORS

Innovations Window & Doors Systems is a proud member of EarthWise LLC. EarthWise is a multi-national organization comprised of fifteen window manufacturers who share technology, buying power, and provide security to the homeowner through shared responsibility of warranty claims in the event that a member company ceases to exist. As an EarthWise customer, you have assurance that your windows are supported by fifteen manufacturing facilities and that they are further insured by the Good Housekeeping Seal of Approval.

©2012 Innovations Window & Door Systems • PO Box 39 • Grabill, IN 46741



American  
Architectural  
Manufacturers  
Association



Authorized Innovations Dealer:



**RQ Roofing**  
2601 Waltham Rd.  
Madison, WI 53711  
Office: (608) 215-6678

